

MAN 6X2 EURO 6 - 11.500L VACUUM CLEANER - 2 COMPARTIMENTEN + INTARDER

COMMON

Price	€ 32.950,- ex VAT
Id	MA212542
Make	MAN
Type	6X2 EURO 6 - 11.500L VACUUM CLEANER - 2 COMPARTIMENTEN + INTARDER
Year	2016
Mileage	706.387 km
Construction	Vacuum truck
Gross weight	28.000 kg
Emissionclass	6

PROPERTIES

First registration date	26-02-2016
Fuel	Diesel
Transmission	Automatic
Vehicle identification number	WMA21XZZ6GW212542
Axle configuration	6x2
Axle count	3
Weight	11.530 kg
Cylinder count	6
Construction dimensions (l/b/h)	
Load capacity	16.470 kg

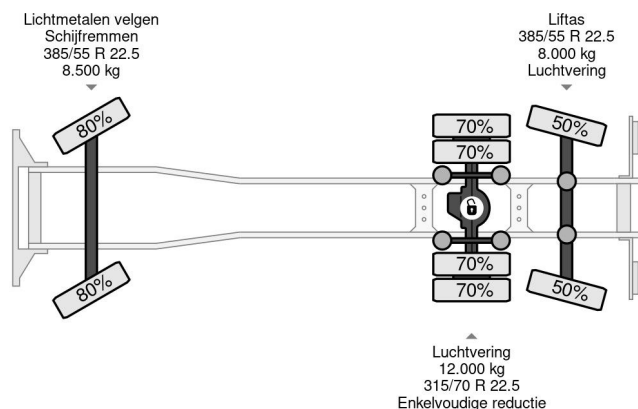
ACCESSORIES

- Air conditioning
- Aluminium fuel tank
- Anti-lock braking system
- Anti-lock braking system
- Central locking
- Coupling
- Cruise control
- Electrically adjustable door mirrors
- Electrically operated windows
- Fog lights
- Power take-off (PTO)
- PTO
- Radio/CD player
- Refrigerator
- Remote central locking
- Retarder
- Sleeper cab
- Speed limiter
- Toolbox
- Vehicle heater



MAN TGX 26.560 6X2 EURO 6 - 11.500L VACUUM CLEANER...

Referentienummer: MA212542



DESCRIPTION