

MAN XLX 6X2 EURO 5 - BDF CHASSIS + RETARDER

COMMON

Price	€ 13.950,- ex VAT
Id	MA182575-2
Make	MAN
Type	XLX 6X2 EURO 5 - BDF CHASSIS + RETARDER
Year	2013
Mileage	1.087.176 km
Construction	BDF System
Gross weight	26.000 kg
Emissionclass	5

PROPERTIES

First registration date	01-01-2013
Fuel	Diesel
Transmission	Automatic
Vehicle identification number	WMA21XZZ7DW182575
Axle configuration	6x2
Axle count	3
Power kw	324
Power hp	440
Construction dimensions (l/b/h)	

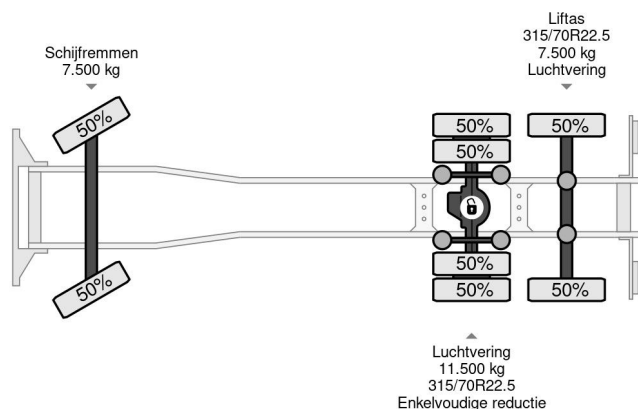
ACCESSORIES

- Air conditioning
- Air suspension
- Aluminium fuel tank
- Anti-lock braking system
- Anti-lock braking system
- Central locking
- Coupling
- Cruise control
- Electrically adjustable door mirrors
- Electrically operated windows
- Fog lights
- Heavy duty engine brake
- Navigation system
- Radio/CD player
- Refrigerator
- Retarder
- Roof spoiler
- Sleeper cab
- Speed limiter
- Toolbox
- Twin fuel tank
- Vehicle heater
- Visor



MAN TGX 26.440 XLX 6X2 EURO 5 - BDF CHASSIS + RET...

Referentienummer: MA182575-2



DESCRIPTION